

Dimplex



EN

RU

Charlotte CRT20AB, Charlotte CRT20BR
& Brookline BKL20

08/51224/0 Issue 0

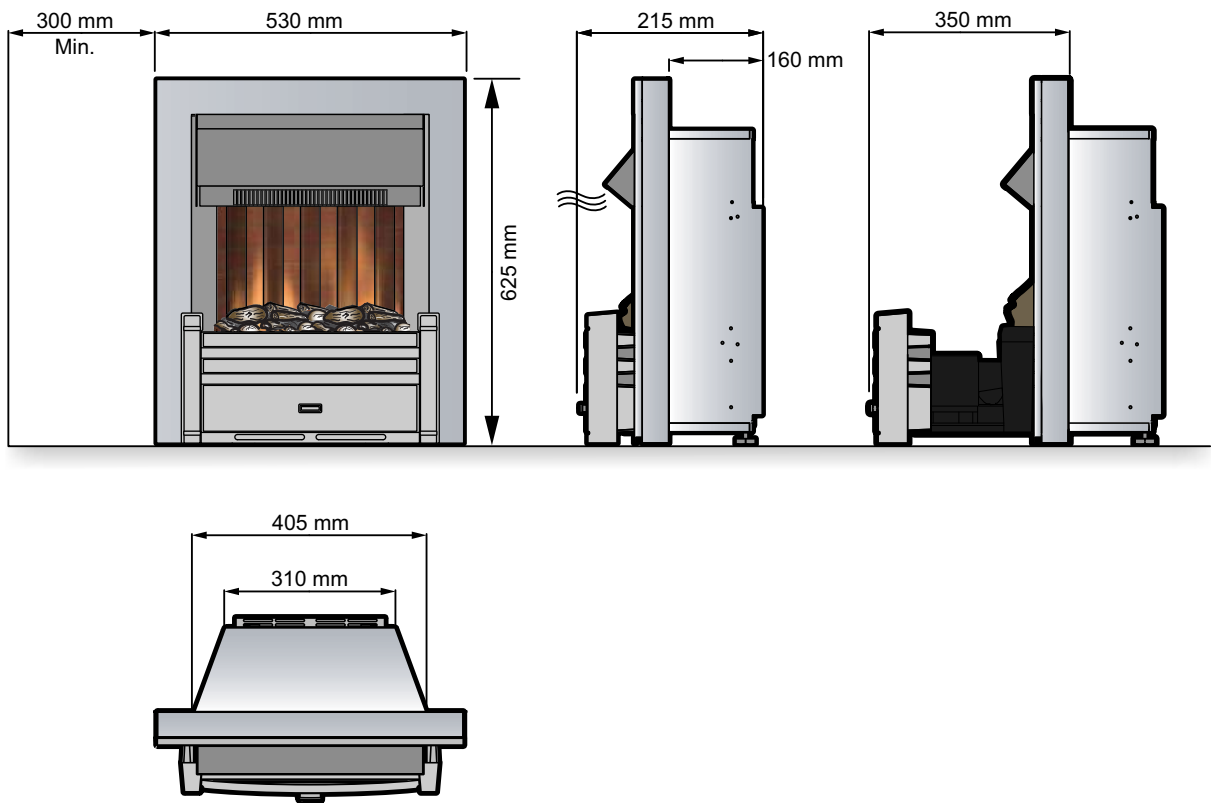


Fig.1

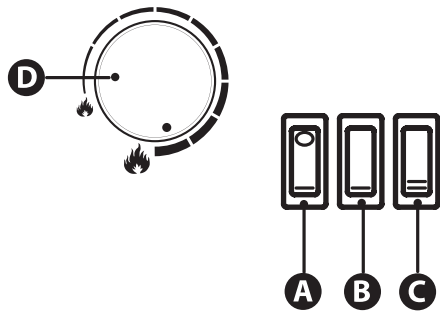


Fig.2

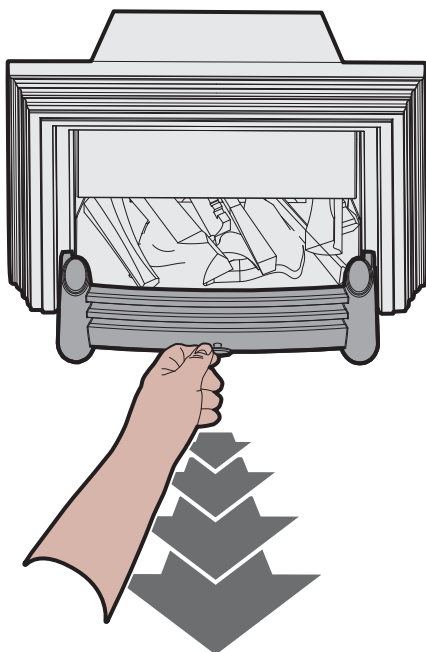


Fig.3

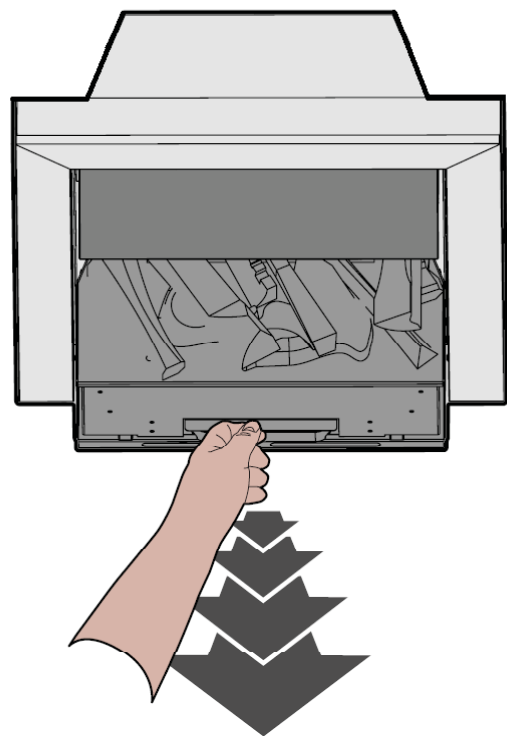


Fig.3a

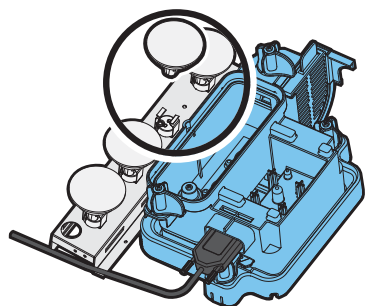


Fig.4

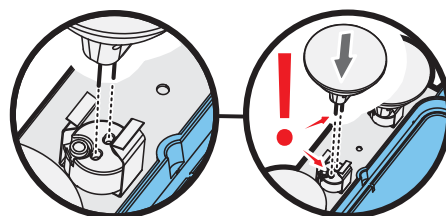


Fig.5

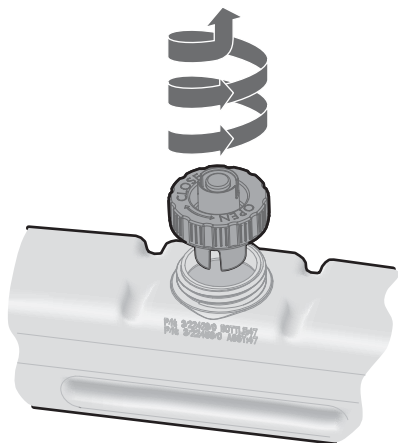


Fig.6

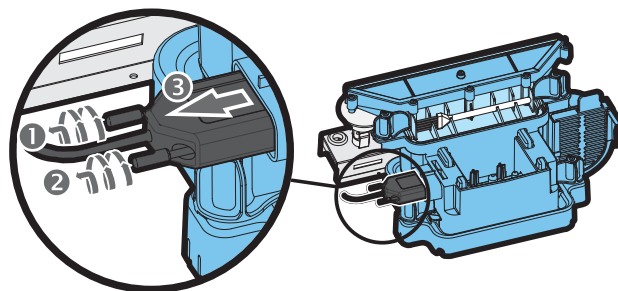


Fig.7

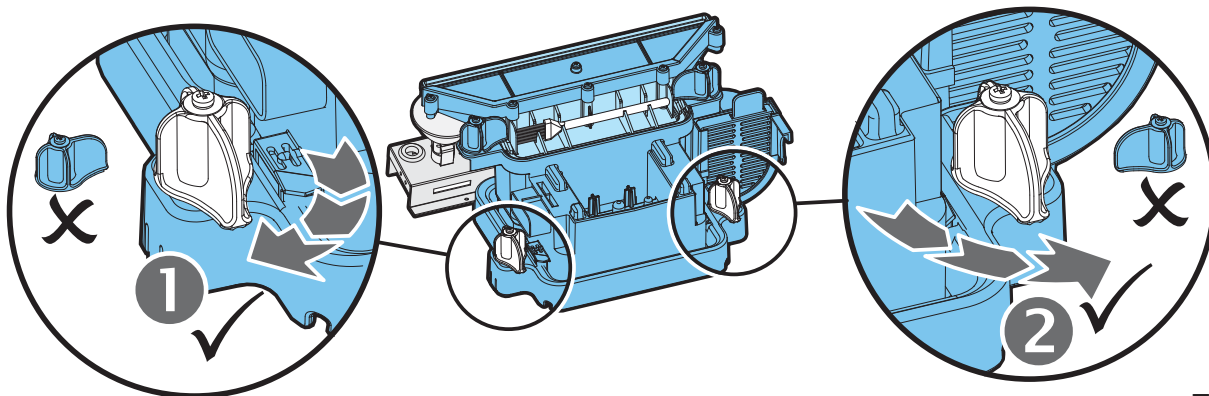


Fig.8

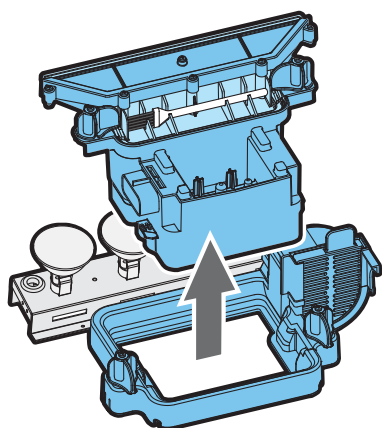


Fig.9

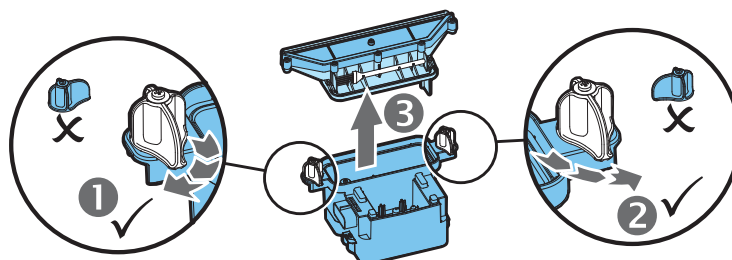


Fig.10

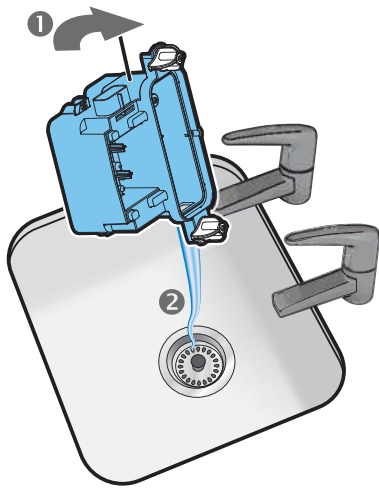


Fig.11

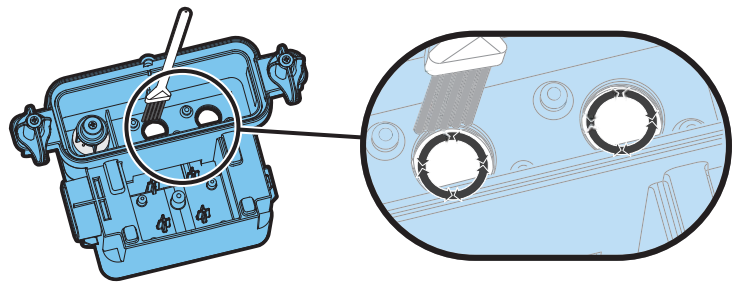


Fig.12

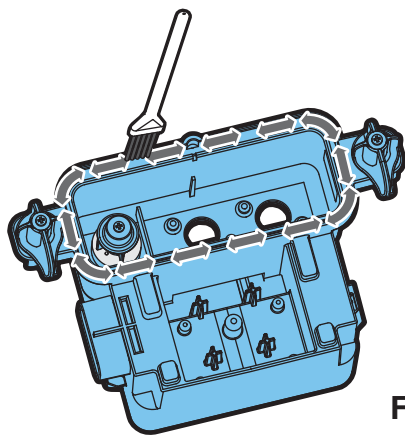


Fig.13

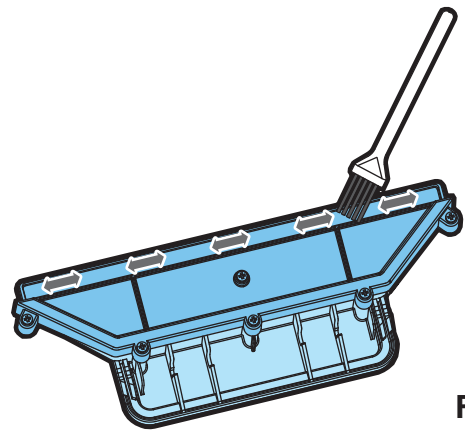


Fig.14

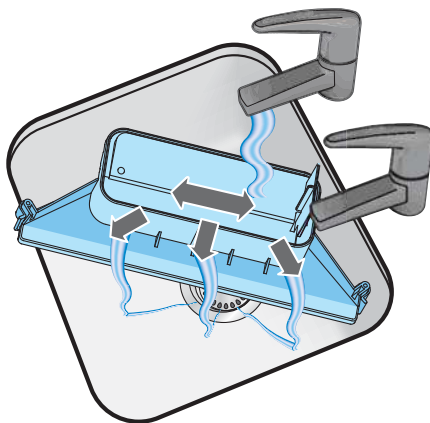


Fig.15

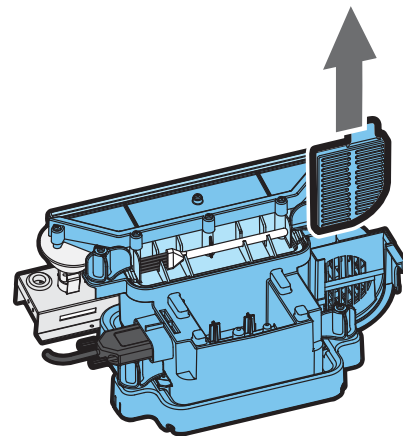


Fig.16

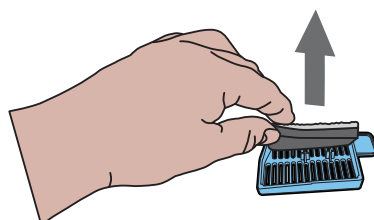


Fig.17

EN.....1

RU3

Dimplex Opti-myst Inset Fires

Model: Charlotte CRT20BR (Brass Inset), Charlotte CRT20AB (Antique Brass) & Brookline BKL20

IMPORTANT: THESE INSTRUCTIONS SHOULD BE READ CAREFULLY AND RETAINED FOR FUTURE REFERENCE

Important Safety Advice:

When using electrical appliances, basic precautions should always be followed to reduce the risk of fire, electrical shock and injury to persons, including the following:

If the appliance is damaged, check with the supplier before installation and operation.

Do not use outdoors.

Do not use in the immediate surroundings of a bath, shower or swimming pool.

Do not locate the heater immediately below a fixed socket outlet or connection box.

This appliance is not intended for use by children or other persons without assistance or supervision if their physical, sensory or mental capabilities prevent them from using it safely. Children should be supervised to ensure that they do not play with the appliance.

Do not use this heater in series with a thermal control, a program controller, a timer or any other device that switches on the heat automatically, since a fire risk exists when the heater is accidentally covered or displaced.

Ensure that furniture, curtains or other combustible material are positioned no closer than 1 metre from the heater.

In the event of a fault unplug the heater.

Unplug the heater when not required for long periods.

Although this heater complies with safety standards, we do not recommend its use on deep pile carpets or on long hair type of rugs.

The appliance must be positioned so that the plug is accessible. If the supply cord is damaged it must be replaced by the manufacturer or service agent or a similarly qualified person in order to avoid a hazard.

Keep the supply cord away from the front of the heater.

WARNING: In order to avoid overheating, do not cover the heater.

Do not place material or garments on the heater, or obstruct the air circulation around the heater.



The heater carries the Warning symbol indicating that it must not be covered.

General.

Unpack the heater carefully and retain the packaging for possible future use, in the event of moving or returning the fire to your supplier.

The fire incorporates a flame effect, which can be used with or without heating, so that the comforting effect may be enjoyed at any time of the year. Using the flame effect on its own only requires little electricity.

The heater is designed for use inset into a 407mm (16") or 457mm (18") wide by 559mm (22") high fireplace opening or freestanding - see also section 'Installation Instructions'.

Before connecting the heater check that the supply voltage is the same as that stated on the heater.

Please note: Used in an environment where background noise is very low, it may be possible to hear a sound which is related to the operation of the flame effect. This is normal and should not be a cause for concern.

Electrical connection.

WARNING – THIS APPLIANCE MUST BE EARTHED.

This heater must be used on an AC – supply only and the voltage marked on the heater must correspond to the supply voltage.

Before switching on, please read the safety warnings and operating instructions.

PLEASE RETAIN THIS USER'S GUIDE FOR FUTURE REFERENCE

Do not put Opti-myst plastic components into a dishwasher.

Only slide out the drawer when the water tank needs to be filled or a lamp needs to be changed otherwise you will inadvertently alter the water level and the flame effect operation.

Only use filtered tap water in this appliance.

Always ensure that the appliance is sitting on a level floor.

If you intend not using the appliance for longer than 2 weeks, drain the water from sump and water tank and dry the sump.

Once installed, never move this appliance or lay on its back, without draining the water from sump and water tank.

The water tank, sump, sump lid, tank cap and air filters must be cleaned once every two weeks, particularly in hard water areas.

The appliance should never be operated if the lamps are not working.

The lamps should be regularly inspected as described under 'Maintenance' and 'Changing lamps'.

Installation Instructions

Before installing this appliance, we recommend that;

1. You have your chimney cleaned by a competent chimney sweep.
2. You block off the chimney flue.

This procedure is important for the efficient operation of the heating unit and will also reduce heat loss up the chimney.

Installation.

Ensure that all packing items are removed (read any warning labels carefully). Retain all packing for possible future use, in the event of moving or returning the appliance to your supplier.

To install the appliance;

1. Remove the fireplace grate, ashpan etc.
2. The ashbed grate should be stored away for possible future use.
3. Clean the hearth of any ash residue or dust etc.

At the rear of the appliance, two adjustable supports are provided for levelling, where the base of the fireplace opening is raised above the level of the hearth.

You are now ready to install the electric fire into your fireplace.

Make sure the unit is switched **OFF**.

Hold the fire by the sides of surround and gently manoeuvre into position. Plug the fire into a 13amp/240 volt outlet. Ensure that the supply cable exits at the front of the fire, at the right or left hand corner to suit your supply socket location and is not trapped under the fire such that it might cause it to be damaged.

Before using the manual controls firstly fill the water tank (See 'Maintenance', 'Filling the water tank').

Manual Controls.

The Opti-myst Manual controls are located beneath the hinged canopy. Raise the canopy to access the controls. (See Fig.2 for Manual Control lay out)

Switch 'A':- Controls the electricity supply to the Fire.

Note: This switch must be in the 'ON' (I) position for the Fire to operate with or without heat when activated. Although the lamps will operate immediately it will take a further 30 seconds before the flame and smoke effect starts.

Switch 'B':- This will give 1kW of heat

(Switch 'A' needs to be in the 'ON' (I) position for Switch 'B' to work)

Switch 'C':- This will give 2kW of heat

(Switches 'A & B' need to be in the 'ON' (I) position for Switch 'C' to work)

Control Knob 'D':- Controls the intensity of the flame and smoke effect.

Turning the control knob Clockwise increases the intensity of flame and smoke effect, turning the control knob Anti Clockwise will decrease the intensity of flame and smoke effect.

When the water is empty the main lamps go out. See instructions under 'Maintenance', 'Filling the water tank'. When this procedure is complete, the main lamps will illuminate but it will take 30 seconds before the flames return.

Thermal safety cut-out

A thermal safety cut-out is incorporated in the fan heater to prevent damage due to overheating. This can happen if the heat outlet was restricted in any way or if the chimney flue has not been blocked off effectively. If the cut-out operates, unplug the heater from the socket outlet and allow approximately 10 minutes before reconnecting. Before switching the heater back on remove any obstruction that may be restricting the heat outlet, then continue normal operation.

Caution: In order to avoid hazard due to inadvertent resetting of the thermal cutout, this appliance must not be supplied through an external switching device, such as a timer, or connected to a switch that is regularly switched on and off by the utility.

Tips for using your appliance.

1. Only pull out the drawer when its time to refill the water tank or change a lamp, otherwise it may lead to excess water in the sump and reduced flame effect. If this happens empty the water from the sump as instructed under 'Maintenance'.
2. With the flame setting on minimum the unit will use approximately 40ml of water per hour and will last 3 times as long than when it is at maximum flame setting.
3. Do not tilt or move the fire while there is water in the tank or sump.
4. Make sure that the fire is on a level floor.
5. The flame control knob 'D' Fig.2 may be turned up or down to give a more realistic effect.
6. Sometimes the flames appear more real when the flame control knob is turned down.
7. Give the flame generator some time to react to changes you may make on the flame control knob.

Maintenance

WARNING: ALWAYS DISCONNECT FROM THE POWER SUPPLY BEFORE ATTEMPTING ANY MAINTENANCE

Changing lamps.

If a large amount of the smoke appears grey or colourless it may be that one or more lamps have failed.

You can check for lamp failure as follows.

1. Leaving the flame effect on, gently pull the drawer fully out by the tab. (See Fig.3)
2. View the lamps from a distance in front of the fire and observe which lamp needs to be changed.
3. Put Switch 'A' in the 'OFF' position, and unplug the fire from the mains.
4. Leave the appliance for 20 minutes to allow the lamps to cool down before removing them.
5. Remove the water tank by lifting upwards and place in a sink.
6. Remove the sump as described in the Cleaning Section.
7. Remove the defective lamp, by gently lifting vertically and disengaging the pins from the lamp holder. (See Fig.4 and 5). Replace with a Dimplex Opti-myst, 12V, 50W, Gu5.3 base, 8° beam angle, coloured lamp. (Purchased from www.dimplex.co.uk under the section 'After Sales Service', details of how to purchase the lamps are contained therein.)
8. Carefully insert the two pins of the new lamp into the two holes in the lamp holder. Push firmly in place. (See Fig.4 and 5).
9. Replace the Sump and water tank and carefully close the drawer.
10. Switch on.

Filling the water tank.

When the water tank is empty, the flame and smoke effect shuts off and you will hear 2 audible 'beeps', follow these steps.

1. Press Switch 'A' to (0) (See Fig.2)
2. Gently pull out the drawer as far as possible by the tab. (See Fig.3)
3. Remove the water tank by lifting upwards and outwards.
4. Place the water tank in sink and remove cap. Anti-clockwise to open. (See Fig.6)
5. Fill tank with **filtered tap water only**. This is necessary to prolong the life of the flame and smoke producing unit.

The water should be filtered through a conventional domestic water filter unit and the filter should be replaced regularly.

6. Screw the cap back on, **do not overtighten**.
7. Return the tank to the sump, with the tank cap facing down and the flat side of the tank facing outward.
8. Gently push the drawer back in as far as it will go.
9. Press Switch 'A' to 'ON' (1) position (See Fig.2)

Cleaning.

WARNING – ALWAYS DISCONNECT FROM THE POWER SUPPLY BEFORE CLEANING THE HEATER.

We Recommend cleaning the following components once every 2 weeks, particularly in hard water areas:-

Water Tank, Sump and Seal, Sump lid, Tank cap and seal, Air filter.

For general cleaning use a soft clean duster – never use abrasive cleaners. To remove any accumulation of dust or fluff the soft brush attachment of a vacuum cleaner should occasionally be used to clean the outlet grille of the fan heater.

Water tank

1. Remove water tank, as described earlier, put into sink and empty water.
2. Using the supplied brush gently rub the inside surfaces of the cap paying particular attention to the rubber ring in the outer groove and the centre rubber seal.
3. Put a small quantity of washing up liquid into the tank, refit the cap and shake well, rinse out until all traces of washing up liquid are gone.
4. Refill with filtered tap water only, replace the cap, do not overtighten.

Sump

1. Press Switch 'A' to the 'OFF' (0) position
2. Gently pull the drawer out as far as possible. (See Fig.3)
3. Remove the water tank by lifting upwards.
4. Disconnect the electrical connector, located on the left side of the sump, by first loosening the two retaining screws and gently withdrawing the connector. (See Fig.8) .
5. Release the lower sump locking tabs by turning 90°, this allows the sump to be lifted completely from its location. (See Fig.8)
6. Gently lift up the sump assembly, taking care to keep level so as not to spill any water. Sit the assembly in the sink. (See Fig.9)
7. Release the two upper sump locking tabs by turning 90°, then lift off the sump lid. (See Fig.10)
8. Carefully tilt, as shown, so that the liquid drains out of the sump. (See Fig.11)
9. Put a small amount of washing up liquid into the sump, and using the supplied brush, gently clean all surfaces including the metal discs and the rubber seal located in the top grooved surface. **Do not remove the rubber seals.** (See Fig.13 and 14)
10. When cleaned, thoroughly rinse the sump with clean water.
11. Clean the outlet surface of the sump lid with the brush and flush out thoroughly with water. (See Fig.14 & 15)
12. Reverse the above steps to reassemble.

Air filter.

1. Press Switch 'A' to the 'OFF' (0) position (See Fig.2)
2. Gently pull the drawer out as far as possible. (See Fig.3)
3. Remove the tank and place in a sink with the cap facing upwards.
4. Gently slide upwards the air filter plastic holder. (See Fig.16)
5. Remove the filter combination from the plastic holder.
6. Gently rinse with water in the sink and dry with fabric towel before returning.
7. Replace the filter combination making sure that the coarse black filter is in contact with the plastic holder. (See Fig.17)
8. Replace the tank.
9. Close the drawer fully.
10. Press Switch 'A' to the 'ON' (1) position (See Fig.2)

Recycling.



For electrical products sold within the European Community. At the end of the electrical products useful life it should not be disposed of with household waste. Please recycle where facilities exist. Check with your Local Authority or retailer for recycling advice in your country.

After Sales Service.

Your product is guaranteed for one year from the date of purchase. Within this period, we undertake to repair or exchange this product free of charge (excluding lamps & subject to availability) provided it has been installed and operated in accordance with these instructions. Your rights under this guarantee are additional to your statutory rights, which in turn are not affected by this guarantee.

Should you require after sales information or assistance with this product please go to www.dimplex.co.uk where you will find our self help guide by clicking on "After Sales" or ring our help desk on 0845 600 5111 (UK) or 01 842 4833 (R. O. I.). Spare parts are also available on the web site.

Please retain your receipt as proof of purchase.

Troubleshooting		
Symptom	Cause	Corrective Action
The flame effect will not start.	Mains plug is not plugged in. Low water level. Low voltage connector not connected properly. (See Fig.7)	Check plug is connected to wall socket correctly. Check that the water tank is full and there is water in the sump. Check that the connector is inserted correctly. (See Fig.7)
The flame effect is too low.	Flame effect control knob is set too low. (See Fig.2) The water in the sump may be too high due to the drawer being opened and closed a number of times, water tank removed a number of times, or the fire has been moved. Metal Disc at the base of Sump might be dirty. (See Fig.12)	Increase level of flame by turning Control knob 'D' clockwise slowly. (See Fig.2) If water level in the sump is more than 40mm, the sump should be removed and emptied in the sink. Clean Metal Discs with soft brush supplied. (See Fig.12) See 'Maintenance.' for a step by step procedure.
Unpleasant smell when unit is used.	Dirty or stale water. Using unfiltered tap water.	Clean the unit as described under maintenance. Use only filtered tap water.
The flame effect has too much smoke.	Flame effect setting is too high.	Turn the flame effect Control knob C anticlockwise to minimum and slowly turn clockwise, about ¼ a turn, at a time. Give the flame generator some time to adjust before increasing. (See Fig.2)
Main lamps are not working and there are no flames or smoke.	There is no water in the water tank	Follow instructions under Maintenance , 'Filling the water tank'. Check the plug is connected to wall socket correctly. Switch 'A' Fig. 2 is in the 'ON' (1) position.

Встраиваемые камины Dimplex Opti-myst

Модель: Шарлотта CRT20BR (латунная вставка), Шарлотта CRT20AB (старинная латунь) и Бруклин BKL20

ВНИМАНИЕ! ВНИМАТЕЛЬНО ПРОЧИТАЙТЕ ЭТИ ИНСТРУКЦИИ И СОХРАНИТЕ ИХ ДЛЯ БУДУЩЕГО ИСПОЛЬЗОВАНИЯ

Важная информация по технике безопасности:

Для снижения риска воспламенения, поражения электрическим током и получения травм при использовании электроприборов необходимо соблюдать основные меры безопасности, в том числе: Если прибор поврежден, перед его установкой и эксплуатацией обратитесь за консультацией к поставщику оборудования.

Не используйте прибор вне помещений.

Не используйте прибор в непосредственной близости от ванной комнаты, душа или бассейна.

Не располагайте прибор непосредственно под штепсельной розеткой или соединительной коробкой.

Данный прибор не предназначен для использования детьми или другими лицами без посторонней помощи или контроля, если их физические, осязательные или умственные способности препятствуют безопасной эксплуатации прибора. Внимательно следите за тем, чтобы дети не играли с прибором.

Не используйте обогреватель в сочетании с терморегулятором, программным контроллером, таймером или любым другим устройством, которое осуществляет автоматическое переключение в режим нагрева, поскольку случайный заслон или смещение обогревателя может стать причиной пожара.

Убедитесь в том, что на расстоянии 1 м от обогревателя отсутствуют мебель, шторы или другие воспламеняющиеся предметы.

В случае сбоя вытащите вилку обогревателя из розетки.

Отсоединяйте прибор от розетки, если он не используется в течение длительного времени.

Хотя прибор соответствует нормам безопасности, мы не рекомендуем устанавливать его на ковровых покрытиях с длинным ворсом.

Прибор следует располагать так, чтобы имелся доступ к его вилке.

Если шнур питания поврежден, во избежание возникновения опасных ситуаций его замена должна осуществляться изготовителем, агентом по сервисному обслуживанию или специалистом аналогичной квалификации.

Следите за тем, чтобы шнур питания не оказался в зоне перед обогревателем.

ВНИМАНИЕ. Не накрывайте обогреватель во избежание перегрева.

Не кладите на обогреватель ткань или одежду и не создавайте препятствия для циркуляции воздуха вокруг обогревателя.



На обогревателе находится предупреждающее обозначение, которое не должно быть закрыто.

Общая информация.

Аккуратно распакуйте обогреватель и сохраните упаковку для дальнейшего использования на случай транспортировки или возврата электрического камина поставщику.

В камине предусмотрен эффект живого пламени, который можно использовать как в сочетании с функцией нагрева, так и без нее, что обеспечивает создание уютной обстановки в любое время года. При включении только эффекта пламени прибор потребляет небольшое количество электроэнергии.

Обогреватель встраивается в нишу шириной 407 мм (16") или 457 мм (18") и высотой 559 мм (22") или устанавливается в качестве отдельно стоящего прибора - см. также раздел «Указания по установке».

Перед подключением обогревателя убедитесь в том, что напряжение питания соответствует значению, указанному на обогревателе.

Примечание. Если прибор используется в помещении с низким уровнем фонового шума, можно услышать звук, создаваемый эффектом пламени. Это нормальное явление, которое не должно служить причиной для беспокойства.

Электрическое подключение.

ВНИМАНИЕ! ДАННЫЙ ПРИБОР ТРЕБУЕТ ЗАЗЕМЛЕНИЯ.

Прибор следует подключать только к источнику питания переменного тока, при этом напряжение должно соответствовать указанному на приборе.

Перед включением прибора ознакомьтесь с указаниями по безопасности и инструкции по эксплуатации.

СОХРАНИТЕ ДАННОЕ РУКОВОДСТВО ДЛЯ БУДУЩЕГО ИСПОЛЬЗОВАНИЯ

Не мойте пластмассовые части прибора Opti-myst в посудомоечной машине.

Выдвигайте ящик только при необходимости доливки воды в бак или замены лампы, иначе вы можете случайно изменить уровень воды и нарушить работу эффекта пламени.

Используйте для этого прибора только фильтрованную воду из-под крана.

Устанавливать прибор только на ровном полу.

Если прибор не будет использоваться в течение более 2 недель, слейте воду из поддона и бака и протрите поддон.

После установки нельзя перемещать и опрокидывать прибор, не слив предварительно воду из поддона и бака.

Бак для воды, поддон, крышку поддона, пробку бака и воздушные фильтры следует очищать каждые две недели, в особенности в регионах с жесткой водой.

Нельзя использовать прибор, если лампы не работают.

Лампы следует регулярно проверять, как описано в главах «Техобслуживание» и «Замена ламп».

Указания по установке

Перед установкой прибора рекомендуется следующее:

1. Прочистить дымовую трубу, обратившись в профессиональную службу.
2. Открыть дымоход.

Данная процедура важна для эффективной работы нагревательного элемента и уменьшит теплопотери через дымоход.

Установка.

Убедитесь, что весь упаковочный материал снят (внимательно читайте все предупреждающие надписи).

Сохраните всю упаковку на случай последующей транспортировки или возврата прибора поставщику.

Установка прибора:

1. Снимите каминную решётку, зольник и др.
 2. Сохраните решётку для дальнейшего использования.
 3. Очистите топку от остатков золы, пыли и т. д.
- В задней части прибора находятся две регулируемые опоры, предназначенные для выравнивания камина в случае, если каминная ниша находится выше уровня топки.
- Теперь Вы готовы к установке электрокамина в предусмотренное для него место.
- Убедитесь, что прибор **ВЫКЛЮЧЕН**.

Держите камин по бокам и осторожно установите в нужное положение. Подключите камин к розетке 13 А / 240 В. Убедитесь, что кабель питания выходит спереди камина, в правом или левом углу, дотягивается до электророзетки и не зажат под каминном, что может привести к его повреждению.

Перед использованием элементов ручного управления заполните бак водой (см. «Техобслуживание», «Заполнение бака для воды»).

Элементы ручного управления.

Элементы ручного управления прибора Opti-myst находятся под откидной крышкой. Поднимите крышку, чтобы получить доступ к элементам управления. (схему элементов ручного управления см. на рис. 2)

Переключатель «А» управляет подачей питания к камину.

Примечание: Для работы камина в режиме нагрева или без него данный переключатель должен находиться в положении «ON» (ВКЛ.) (I). Хотя основные индикаторы загораются немедленно, для включения эффекта пламени требуется ещё около 30 секунд.

Переключатель «В» - данное положение обеспечит тепло мощностью 1 кВт

(переключатель «А» должен находиться в положении «ON» (ВКЛ.) (I) для активации выключателя «В»).

Переключатель «С» - данное положение обеспечит тепло мощностью 2 кВт

(переключатели «А» и «В» должны находиться в положении «ON» (ВКЛ.) (I) для активации переключателя «С»).

Регулятор «D» управляет интенсивностью эффекта пламени и дыма.

При вращении регулятора по часовой стрелке интенсивность эффекта пламени и дыма увеличивается, при вращении регулятора против часовой стрелки - уменьшается.

Когда бак для воды пустой, основные индикаторы выключаются. См. указания в главах «Техобслуживание», «Заполнение бака для воды». После завершения операции основные индикаторы загораются, однако для возобновления эффекта пламени требуется ещё 30 секунд.

Тепловые плавкие предохранители

Встроенный в прибор тепловой плавкий предохранитель предотвращает его повреждение вследствие перегрева. Это может произойти при ограничении отвода тепла или засорённости дымохода. Если сработал предохранитель, отсоедините прибор от розетки и включите снова примерно через 10 минут. Перед повторным включением прибора устраните все препятствия для отвода тепла, затем установите обычный режим работы.

Осторожно: во избежание повреждения, вызванного случайным отключением теплового выключателя, это устройство не должно получать электропитание через внешнее переключающее устройство, такое как таймер, или не должно быть подключено к электросети, которая запрограммирована на регулярное включение и отключение.

Советы по использованию прибора.

1. Выдвигайте ящик только при необходимости долить воды в бак или заменить лампы, иначе возможно превышение уровня воды в поддоне и ослабление эффекта пламени. Если это произойдёт, слейте воду из поддона, как описано в главе «Техобслуживание».
2. При минимальной настройке пламени прибор использует примерно 40 мл воды на каждый час и работает в три раза дольше, чем при максимальном пламени.
3. Нельзя наклонять и двигать камин, когда в баке или поддоне есть вода.
4. Устанавливать камин только на ровном полу.
5. Ручку регулировки пламени «D» (рис. 2) можно устанавливать в максимальные или минимальные положения, чтобы добиться реалистичного эффекта.
6. Иногда пламя кажется более реалистичным, если ручка регулировки стоит на минимальных положениях.
7. Генератору пламени требуется некоторое время для реакции на изменения, выполненные ручкой регулировки пламени.

Техобслуживание

ВНИМАНИЕ. ПЕРЕД ВЫПОЛНЕНИЕМ ТЕХОБСЛУЖИВАНИЯ ВСЕГДА ОТКЛЮЧАЙТЕ ПРИБОР ОТ ИСТОЧНИКА ПИТАНИЯ

Замена ламп.

Если появляется большое количество серого или бесцветного дыма, то вероятно поломка одной или нескольких ламп.

Неисправности ламп можно выявить следующим образом.

1. Оставьте эффект пламени включённым, осторожно выдвиньте ящик за язычок до упора. (см. рис. 3)
2. Рассмотрите лампы на расстоянии спереди камина, чтобы определить, какие необходимо заменить.
3. Переведите выключатель «А» в положение «OFF» (ВЫКЛ.) и отсоедините камин от сети.
4. Оставьте прибор на 20 минут, чтобы лампы остыли перед заменой.
5. Приподнимите и снимите бак для воды, поставьте его в раковину.
6. Снимите поддон, как описано в разделе «Чистка».
7. Удалите неисправную лампу, осторожно подняв вертикально и отсоединив штырьки от патрона, (см. рис. 4 и 5). Замените на цветную лампу Dimplex Opti-myst, 12 В, 50 Вт, с цоколем G5.3, углом расхождения светового пучка 8° (лампы можно приобрести на сайте www.dimplex.co.uk в разделе «Послепродажное обслуживание»; порядок приобретения ламп описан на сайте).
8. Осторожно вставьте два штырька новой лампы в два отверстия в патроне. Вдавите лампу для плотной посадки. (см. рис. 4 и 5).
9. Установите на место поддон и бак для воды и осторожно закройте ящик.
10. Включите прибор.

Заполнение бака для воды

Когда бак для воды пуст, эффект пламени и дыма прекращается и раздаются два звуковых сигнала. Следуйте приведенным указаниям:

1. Нажмите выключатель «А» в положение (0) (см. рис. 2)
2. Осторожно выдвиньте ящик настолько возможно. (см. рис. 3)
3. Снимите бак для воды, приподняв и выдвинув наружу.
4. Поставьте бак для воды в раковину и откройте пробку против часовой стрелки. (см. рис. 6)
5. Заполните бак только **фильтрованной водопроводной водой**. Благодаря этому продлевается срок службы блока создания пламени и дыма.
6. Воду следует фильтровать обычным бытовым фильтром для воды, регулярно менять фильтр.
7. Прикрутите пробку на место, **не затягивайте её слишком сильно**.
7. Установите бак на поддон, при этом пробка бака должна быть обращена вниз, а плоская сторона бака - наружу.
8. Осторожно задвиньте ящик назад до упора.
9. Нажмите выключатель «А» в положение «ON» (ВКЛ.) (1) (см. рис.2)

Чистка.

ВНИМАНИЕ! ПЕРЕД ЧИСТКОЙ ВСЕГДА ОТКЛЮЧАЙТЕ ОБОГРЕВАТЕЛЬ ОТ ИСТОЧНИКА ПИТАНИЯ.

Рекомендуем очищать следующие компоненты каждые 2 недели, особенно в регионах с жёсткой водой:
бак для воды, поддон и уплотнение, крышку поддона, пробку и уплотнение бака, воздушный фильтр. Общая чистка выполняется мягкой, чистой тряпкой - никогда не используйте абразивные чистящие средства. Для удаления скопления пыли или пуха и очистки вытяжной воздухораспределительной решетки вентилятора прибора периодически используйте насадку пылесоса в форме мягкой щетки.

Бак для воды

1. Снимите бак для воды, как было описано ранее, поставьте его в раковину и слейте воду.
2. Прилагаемой щёткой аккуратно очистите внутренние поверхности пробки, уделяя особое внимание резиновому кольцу в наружной бороздке и центральному уплотнительному кольцу.
3. Капните немного жидкости для мытья посуды в бак, закройте пробку и хорошо встряхните, затем полностью смойте моющую жидкость.
4. Залейте обязательно фильтрованную воду, закройте пробку, не затягивайте слишком сильно.

Поддон

1. Нажмите выключатель «А» в положение «OFF» (ОТКЛ.) (0)
2. Осторожно выдвиньте ящик настолько возможно. (см. рис. 3)
3. Снимите бак для воды, приподняв его вверх.
4. Отсоедините электрический разъём, расположенный с левой стороны поддона, отвернув вначале два зажимных винта, и осторожно извлеките разъём. (см. рис. 8)
5. Разомкните нижние фиксаторы поддона, повернув на 90°, после этого можно полностью снять поддон. (см. рис. 8)
6. Осторожно приподнимите узел поддона, держа его ровно, чтобы не пролить воду. Поместите весь блок в раковину. (см. рис.9)
7. Разомкните два верхних фиксатора поддона, повернув на 90°, затем снимите крышку поддона. (см. рис. 10)
8. Осторожно наклоните, как показано на иллюстрации, чтобы жидкость вытекла из поддона. (см. рис. 11)
9. Капните немного жидкости для мытья посуды в поддон и прилагаемой щёткой аккуратно очистите все поверхности, в т.ч. металлические диски и резиновое уплотнение на верхней стороне с канавкой. **Не удаляйте резиновые уплотнения.** (см. рис.13 и 14)
10. После чистки тщательно промойте поддон чистой водой.
11. Очистите наружную поверхность крышки поддона щёткой и тщательно промойте водой. (см. рис.14 и 15)
12. Сборка производится в обратном порядке.

Воздушный фильтр.

1. Нажмите выключатель «А» в положение «OFF» (ОТКЛ.) (0) (см. рис. 2)
2. Осторожно выдвиньте ящик настолько возможно. (см. рис. 3)
3. Снимите бак и поместите в раковину пробкой вверх.
4. Осторожно отодвиньте вверх пластиковый держатель фильтра. (см. рис. 16)
5. Выньте комбинацию фильтров из держателя.
6. Осторожно промойте водой в раковине и вытрите полотенцем.
7. Выньте комбинацию фильтров из держателя. (см. рис. 17)
8. Установите бак на место.
9. Полностью закройте ящик.
10. Нажмите выключатель «А» в положение «ON» (ВКЛ.) (1) (см. рис. 2)

Утилизация.



Для электрических изделий, продаваемых в пределах Европейского сообщества. По истечении срока эксплуатации электроприборы не следует утилизировать вместе с бытовыми отходами. Утилизация должна осуществляться в специально оборудованных местах. Для получения информации о правилах утилизации в своей стране обратитесь в местные органы власти или к розничному продавцу.

Послепродажное обслуживание.

На изделие предоставляется гарантия один год с даты покупки. В течение этого времени мы обязуемся бесплатно выполнять ремонт или замену изделия (кроме ламп и с учетом доступности) при условии, что установка и эксплуатация изделия выполнялась в соответствии с данными инструкциями. Ваши права по данной гарантии дополняют ваши законные права и не ущемляют их. За дополнительной информацией о послепродажном обслуживании данной продукции обращайтесь на сайт www.dimplex.co.uk где вы можете найти подробное описание услуг в разделе «After Sales», или по телефону 0845 600 5111 (Великобритания) или 01 842 4833 (Ирландия). Запасные части также можно заказать на веб-сайте.

Сохраните чек, который подтверждает факт покупки прибора.

Устранение неисправностей

Признак	Причина	Способ устранения
Эффект пламени не включается.	Сетевой штепсель не подсоединён. Низкий уровень воды. Низковольтный разъём неправильно подсоединён. (см. рис.7)	Убедитесь, что вилка вставлена в розетку. Проверьте наполнен ли водяной бак, а также наличие воды в поддоне. Убедитесь, что разъём правильно подсоединён. (см. рис.7)
Эффект пламени слишком слабый.	Регулятором выбран слишком слабый эффект пламени. (см. рис. 2) Уровень воды в поддоне может быть слишком высоким из-за того, что ящик открывался и закрывался слишком часто, бак для воды снимался слишком часто или камин передвигался. Может быть загрязнён металлический диск на основании поддона (см. рис. 12)	Увеличьте уровень пламени, медленно вращая регулятора «D» по часовой стрелке. (см. рис. 2) Если уровень воды в поддоне выше 40 мм, следует вынуть и слить поддон. Очистить металлический диск прилагаемой мягкой щёткой. (см. рис. 12). См. пошаговую инструкцию в разделе «Техобслуживание».
Неприятный запах при использовании прибора.	Грязная или старая вода. Использование нефилтрованной воды.	Очистите прибор, как описано в разделе «Техобслуживание». Используйте только фильтрованную водопроводную воду.
Эффект пламени даёт слишком много дыма.	Установлен слишком сильный эффект пламени.	Поверните регулятор пламени «С» против часовой стрелки до минимума и затем медленно вращайте по часовой стрелке, примерно на ¼ за оборот. Перед увеличением следует выждать некоторое время, чтобы генератор пламени адаптировался. (см. рис. 2)
Основные лампы не горят, нет пламени или дыма.	В баке нет воды	Следуйте указаниям в главе «Техобслуживание», «Заполнение бака для воды». Убедитесь, что вилка правильно подсоединена к розетке. Выключатель «А» рис. 2 находится в положении «ON» (ВКЛ.) (1).

Opti-myst is a trade mark of GDC Group Ltd.

This product is protected by one or more of the following patents: PCT/ EP2005/009774, PCT/ EP2007/002207, GB0717773.6, GB0717772.8, GB0717770.2, GB0809322.1. The design of this product is protected by EU Design Rights

Opti-myst является торговой маркой компании GDC Group Ltd.

Данное изделие защищено одним или несколькими следующими патентами: PCT/ EP2005/009774, PCT/ EP2007/002207, GB0717773.6, GB0717772.8, GB0717770.2, GB0809322.1. Дизайн данного изделия защищён EU Design Rights

Официальный сайт в России: dimplex.ru